



Welcome to Alupress –
Your full-service partner

alupress

Automotive Die Casting Components

© Copyright Alupress 2024 – All contents, in particular texts, photographs and graphics of this presentation are protected by copyright. The use of the same, including reproduction, publication and editing, is only permitted with the consent of Alupress.

4

Plants

1000

Employees

Family owned company since

1965

148

Million € sales revenue

From spin-off to global supplier

Company history of Alupress Group



1965
Company founded as a spin-off of the Durst company



1974
Establishment of new company HQ in Brixen (Italy)



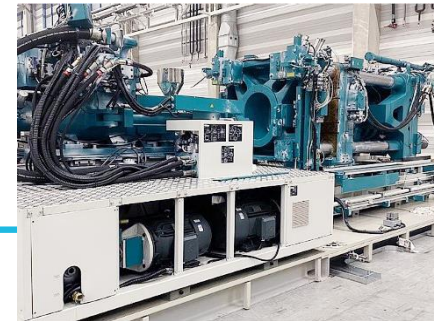
2002
Takeover of foundry in Hildburghausen (Germany)



2008
Takeover of Alupress Tooling (Italy)



2009
Takeover of a subsidiary in South Carolina (USA)



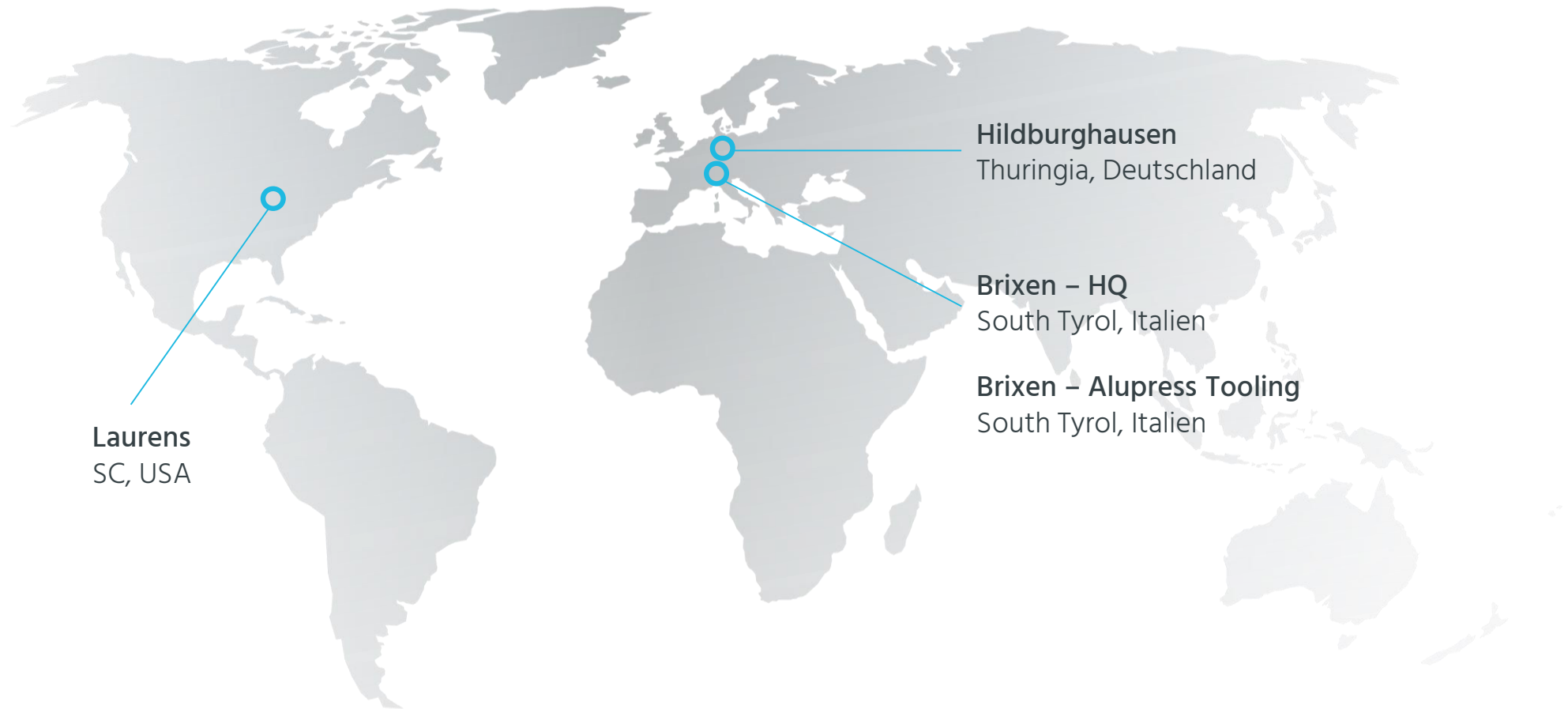
2021
Commissioning of the magnesium thixomolding plant (Germany)



2022
Commissioning of the laser welding system (Italy)

Locations of Alupress Group

Plants with the latest production facilities and technologies



Alupress Brixen, HQ

All central functions, all processes



- + 32 die casting cells: 340–1050 t

Processes:

- + Casting – deflashing
- + Shot blasting and slide grinding
- + Mechanical processing
- + Washing
- + Leakage tests
(differential pressure, helium)
- + Coatings (external partners)
- + Assembly lines
- + Laser welding
- + Laser cleaning / Laser marking

Laboratory activities & service:

- + CT scans
- + Clean Area
- + Residual dirt laboratory
- + Microscopic analyses
- + Bonding- and adhesion tests

Alloys:

- + 226 - EN AC-46000 EN AC-Al Si9Cu3(Fe)
- + 230 - EN AC-44300 EN AC-Al Si12(Fe)
- + 231 - EN AC-47100 EN AC-Al Si12Cu1(Fe)
- + 239 - EN AC-43400 EN AC-Al Si10Mg(Fe)

Alupress Tooling

Our technology center for tools



Workplaces:

- + 4 CAD workplace
- + 8 CAM workplace
- + 3D printing metal
- + Die-sinking EDM system, palletized
- + Wire erosion machine
- + CNC 3 axis milling centers
- + 5-axis milling centers, palletized
- + HSC Milling
- + CNC Lathing
- + Roll grinding
- + Measuring machine
- + Assembly and polishing

Alupress Hildburghausen

Our production plant in Germany



- + 26 die casting cells: 340–1400 t
- + 1 magnesium thixomolding plant

Processes:

- + Casting – deflashing
- + Shot blasting/ slide grinding
- + Machining
- + Washing
- + Leakage tests
(differential pressure, helium)
- + Coatings (external partners)

Laboratory activities & service:

- + Clean area
- + Adhesion tests

Alloys:

- + 226 - EN AC-46000 - AC-Al Si9Cu3(Fe)
- + 230 - EN AC-44300 - AC-Al Si12(Fe)
- + 231 - EN AC-47100 - AC-Al Si12Cu1(Fe)
- + AZ91HP – EN-MC21120 – EN-MCMgAl9Zn1

Alupress Laurens

Our manufacturing location in the USA



- + 8 die casting cells: 900–1400 t

Processes:

- + Casting – deflashing
- + Shot blasting
- + Mechanical processing
- + Washing
- + Leakage tests
(differential pressure, helium)
- + Coatings (external partners)
- + Assembly lines

Laboratory activities & service:

- + Clean area
- + Residual dirt laboratory
- + Adhesion tests

Alloys:

- + A380.0 – similar to EN AC-ALSi9Cu3(Fe)(Zn)
- + A413.0 – similar to EN AC-ALSi12Cu1(Fe)
- + A413.0 with Cu < 0,1% – similar to EN AC-ALSi12(Fe)

Scope of production

Processes:

- + Casting (400–1400 t) – deflashing
- + Shot blasting and slide grinding
- + Mechanical processing
- + Washing
- + Leakage tests (differential pressure, helium)
- + Coatings (external partners)
- + Assembly lines
- + Laser welding
- + Integrated measurement & 100% testing
- + Laser cleaning / laser marking
- + Magnesium thixomolding plant
- + In-house tool maintenance and toolmaking

Laboratory activities & service:

- + CT scans & X-rays
- + Clean area
- + Residual dirt laboratory
- + Microscopic analyses
- + Bonding- and adhesion tests

Alloys:

- + 226 – EN AC-46000 EN AC-Al Si9Cu3(Fe)
- + 230 – EN AC-44300 EN AC-Al Si12(Fe)
- + 231 – EN AC-47100 EN AC-Al Si12Cu1(Fe)
- + 239 – EN AC-43400 EN AC-Al Si10Mg(Fe)
- + A380.0 – similar to EN AC-ALSi9Cu3(Fe)(Zn)
- + A413.0 – similar to EN AC-ALSi12Cu1(Fe)
- + A413.0 with Cu < 0,1% – similar to EN AC-ALSi12(Fe)
- + AZ91HP – EN-MC21120 – EN-MCMgAl9Zn1



Full-service system solutions

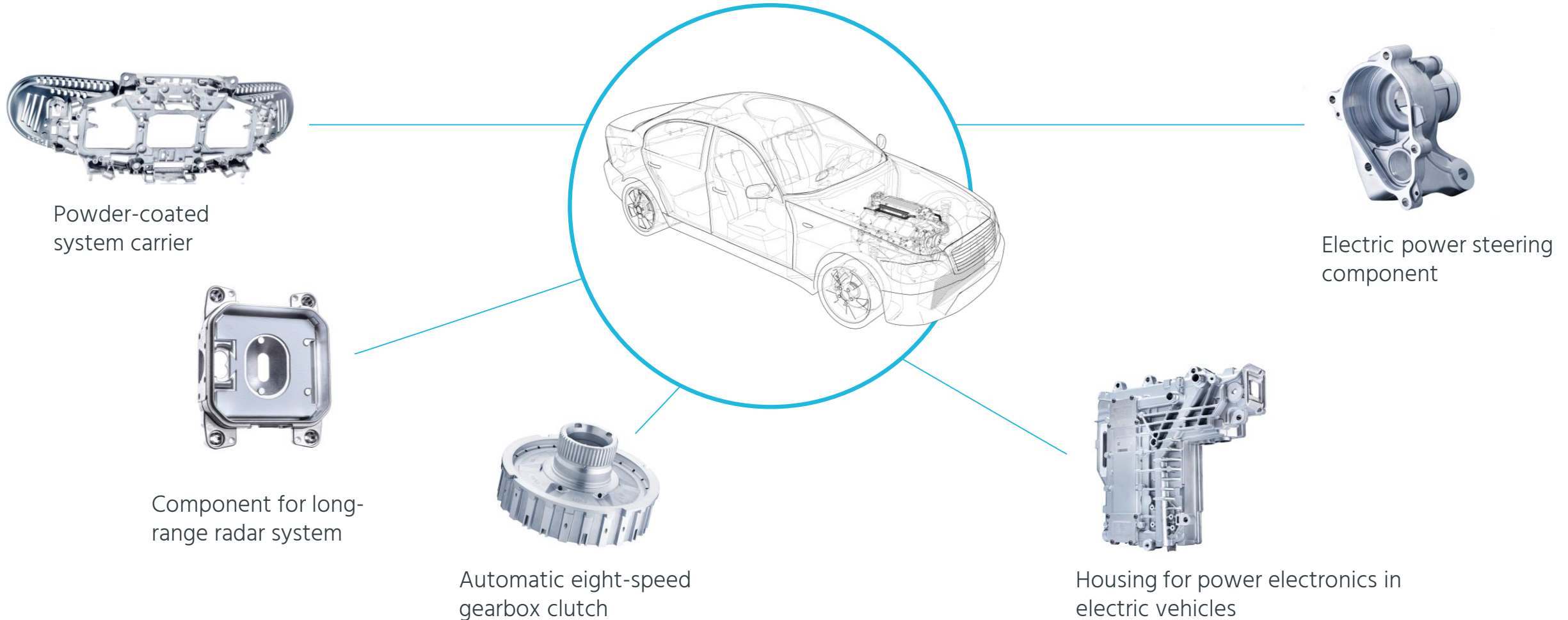
In-house development, consulting, project management and production from a single source



Process technology aluminum die casting

More on this:
https://youtu.be/v26h_q-9z4A

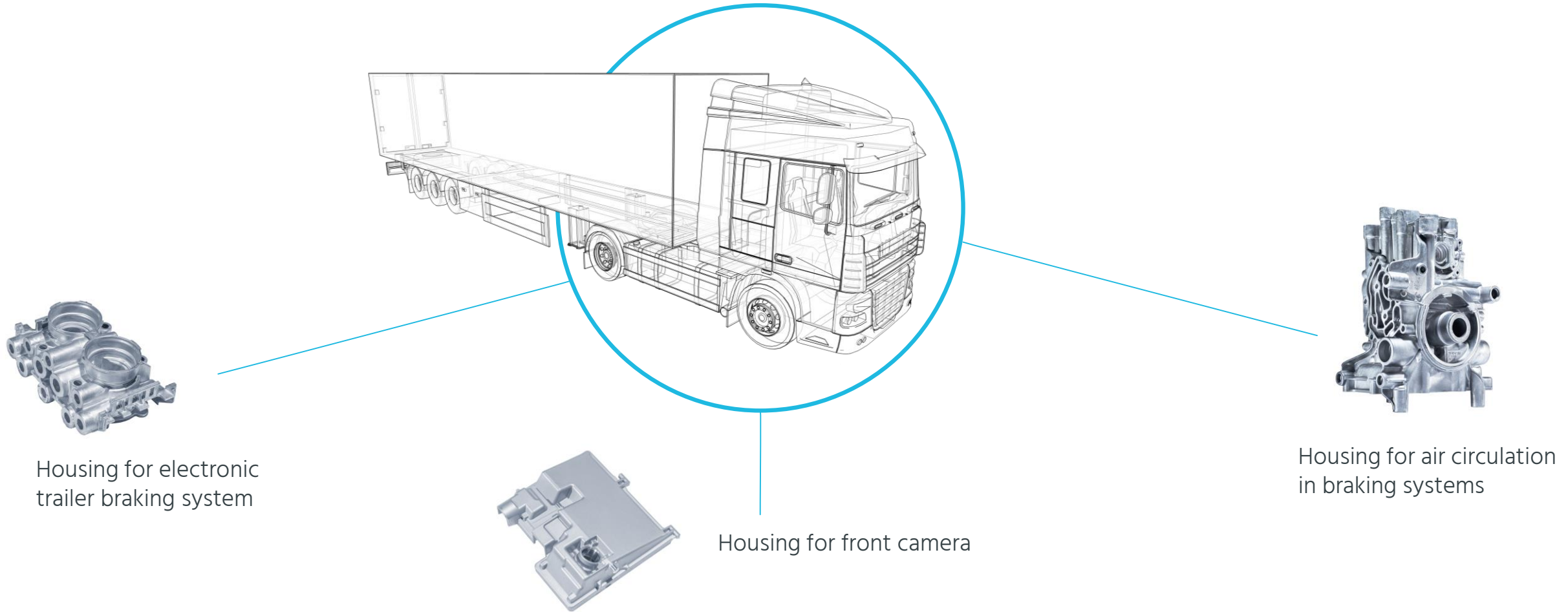
Field of application Car



Process technology aluminum die casting

More on this:
<https://youtu.be/uBfweX9dq70>

Field of application Truck



Process technology magnesium thixomolding



Magnesium – processed by means of thixomolding – is of particular value for interior applications in the automotive sector. This process is however also an attractive solution for other mobility sectors and non-automotive markets.

Stefan Ploner, CTO



A photograph of two men sitting at a table in a meeting. The man on the left is wearing a light blue button-down shirt and is holding a white plastic component. The man on the right is wearing a dark blue blazer over a white shirt and is smiling. The background is a blurred office setting. The text 'Long-term partnerships' is overlaid in white on the image.

Long-term partnerships

Customers of the Alupress Group

Partner to the largest automotive suppliers

Automotive

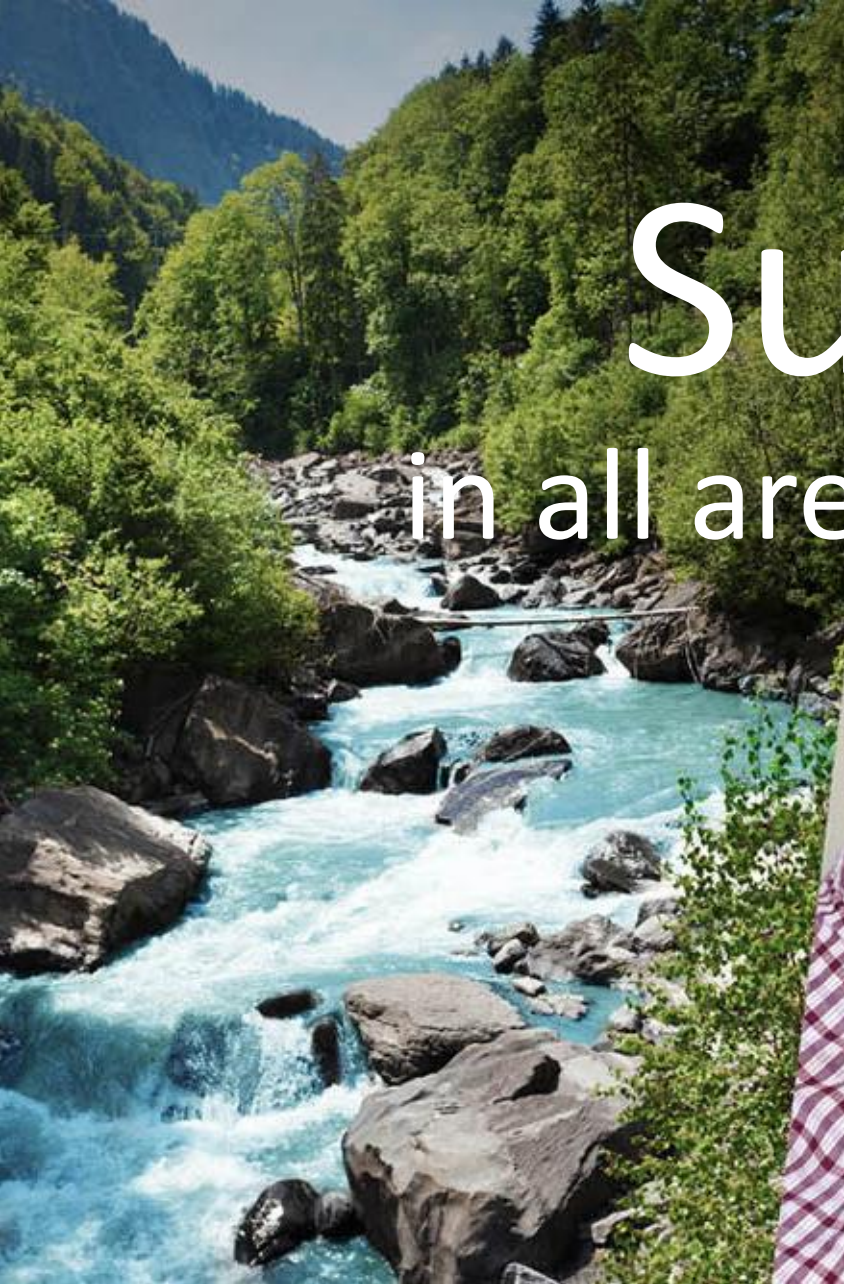


Truck / non-automotive



Sustainability

in all areas



Sustainability within the company

A management model that will safeguard our grandchildren's world is central to our thoughts and our actions



Environmental sustainability:

- + CO₂-neutral by 2030
- + Energy saving
- + Circular economy for raw materials
- + Reduced water consumption
- + Waste reduction



Social sustainability:

- + Future-proof jobs
- + Equal opportunities
- + Market-oriented remuneration
- + Compatibility of family and career
- + Safe and fair working conditions



Economic sustainability:

- + Long-term partnerships with customers and suppliers
- + Increasing efficiency and application of new technologies
- + Safeguarding of profitability and financial stability

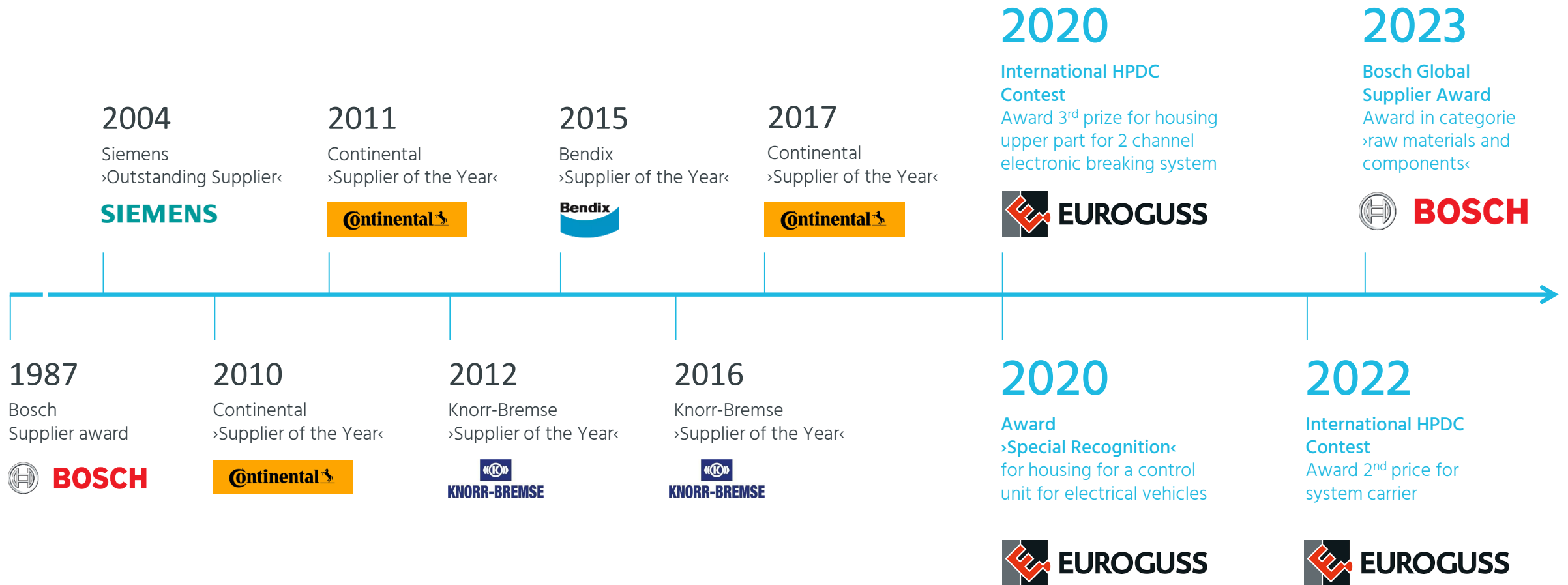
Quality is our standard

Certifications of Alupress plants

Certificate		Alupress Brixen	Alupress Hildburghausen	Alupress Laurens	Alupress Tooling Brixen
IATF: 16949:2016	Quality Management System – the standard for the automotive industry	+	+	+	
ISO 9001:2015	Quality Management System	+	+	+	+
ISO 14001:2015	Environmental Management System	+	+	+	
ISO 50001:2018	Energy Management System	+	+		
ISO 45001:2018	Occupational Health and Safety Management System	+			+

Best performance in technology and quality

Awards conferred on the Alupress Group



Our Corporate Values

We create added value for our customers

We work safely

We offer trust and show appreciation

We are sustainable

For more information
see our website at
www.alupress.com

Alupress AG (HQ)
Alfred-Ammon-Straße 36
39042 Brixen, Italy
+39 0472 390 600
info_bx@alupress.com

Alupress Tooling GmbH
Johann-Kravogl-Straße 9
39042 Brixen, Italy
+39 0472 390 360
info_tooling@alupress.com

Alupress GmbH
An der Gießerei 2
98646 Hildburghausen, Germany
+49 (0) 3685 4488 0
info_hildburghausen@alupress.com

Alupress LLC
114 Hunter Industrial Park Road
Laurens, SC 29360, USA
+1 864 766 4800
info_laurens@alupress.com

© Alupress
All rights reserved